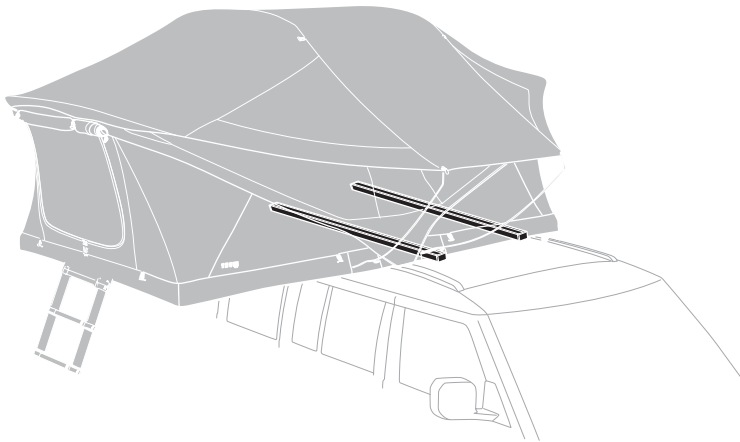
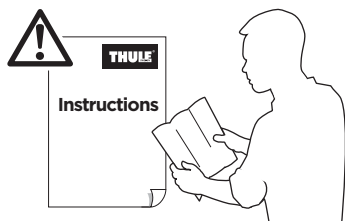
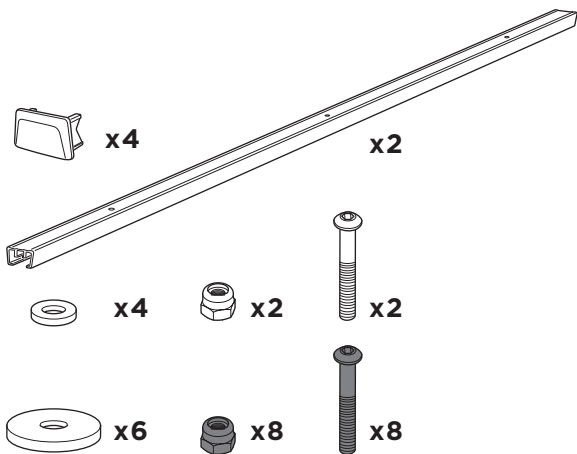


➤ Instructions

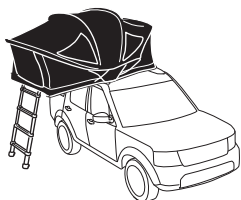
Thule Rooftop Tent Mounting Rail Spare Part

901886, 901887, 901888, 901889







i



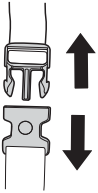

901010 - 901016


**901002 - 901003,
 901200 - 901201,
 901300 - 901302,
 901400 - 901402,
 901500, 901510**

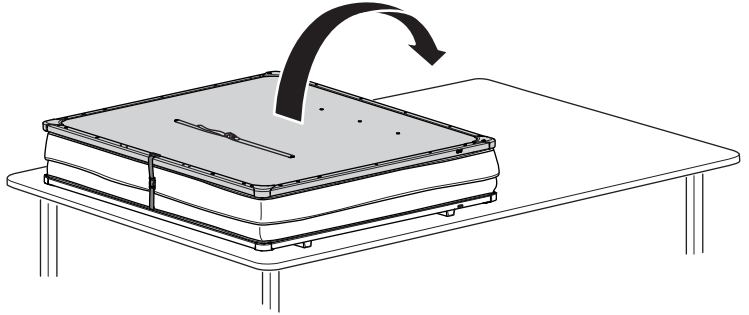
	x8	x6
	x8	x6
	x4	x6
	x4	-

1

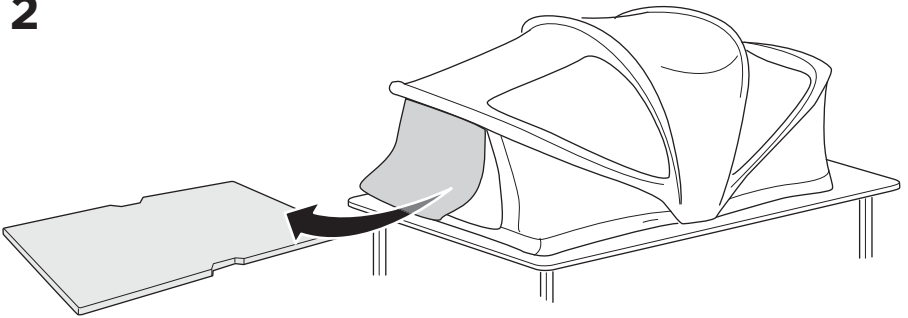
A



B

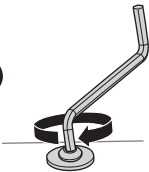


2

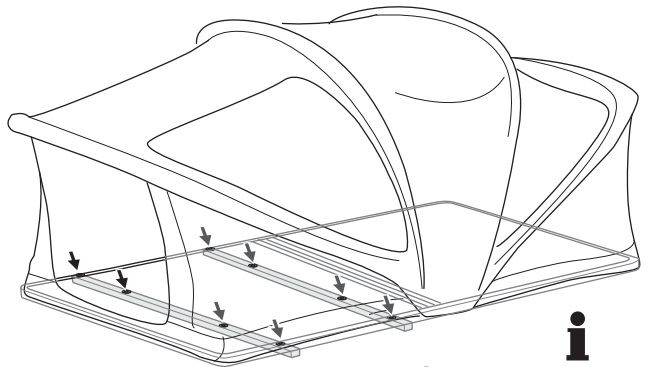
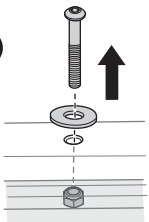


3

A

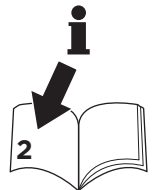


B

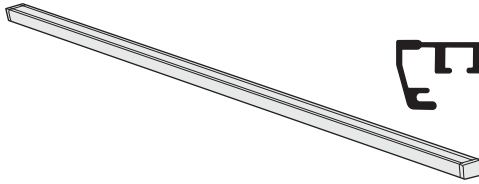
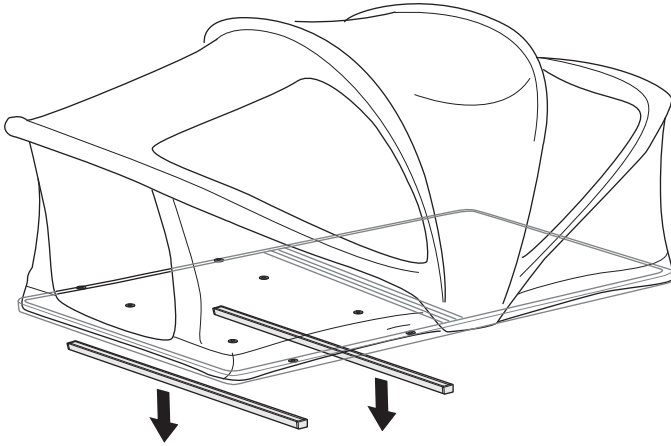


x8 / x6

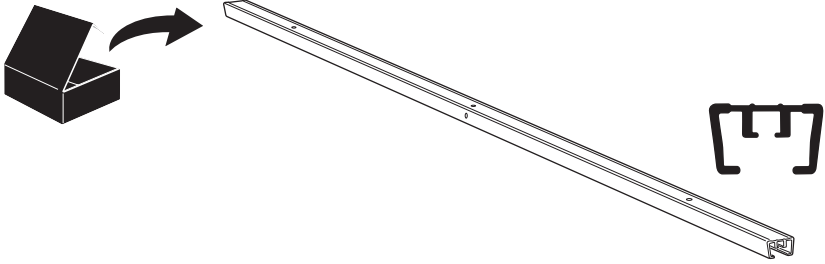
x8 / x6



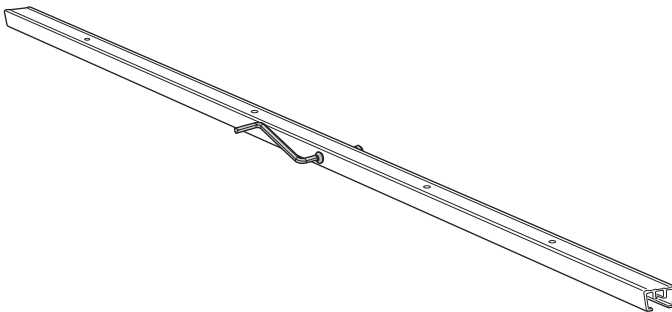
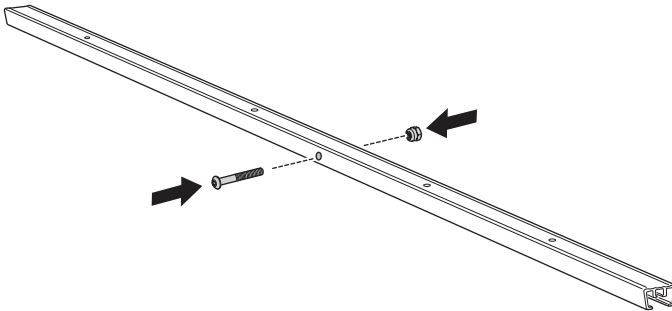
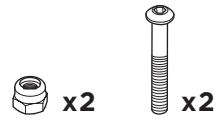
4



5

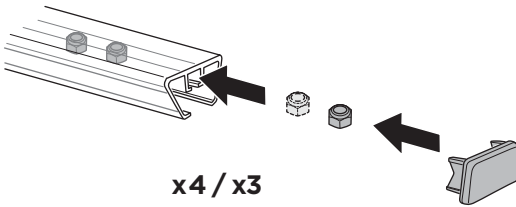
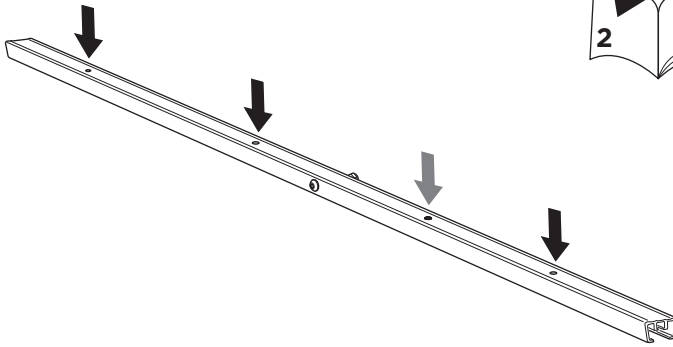
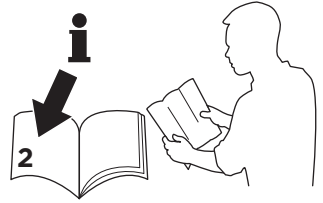
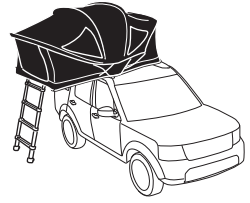


6

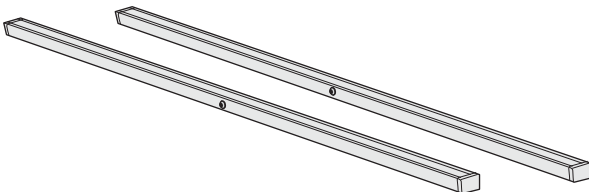


x 2





7

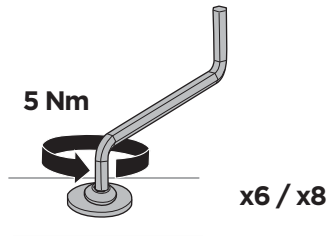
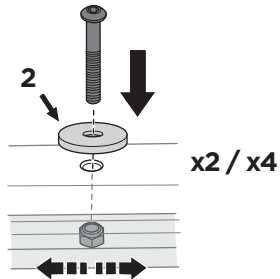
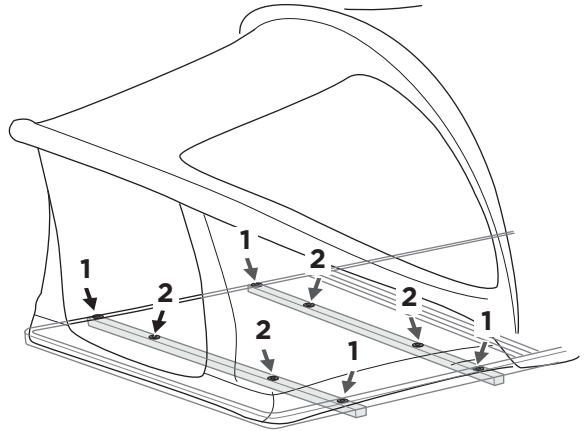
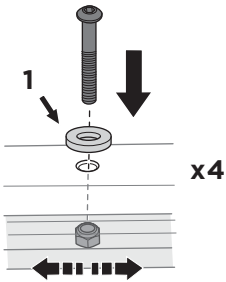
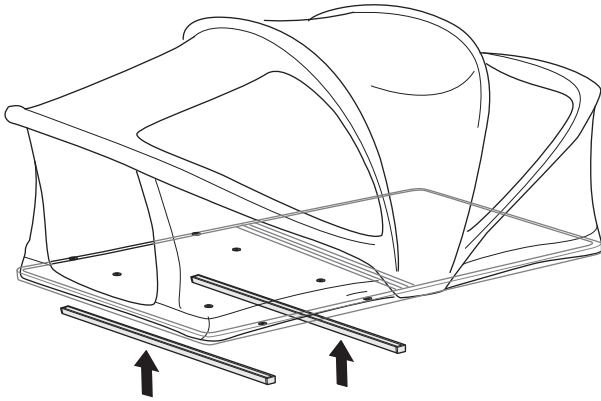


x 2

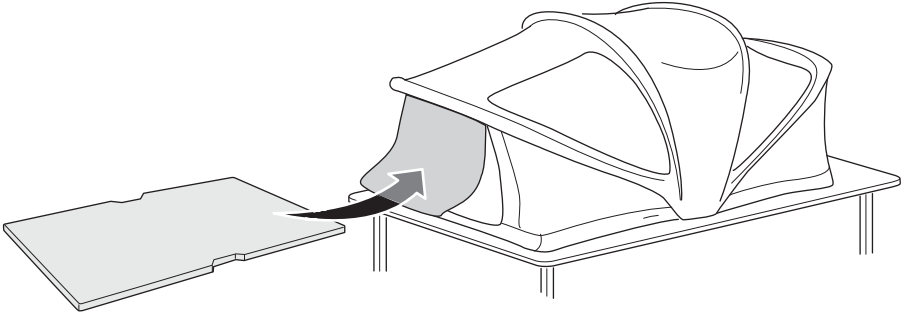


8

 x8  x8
 x4  x6



9



10

