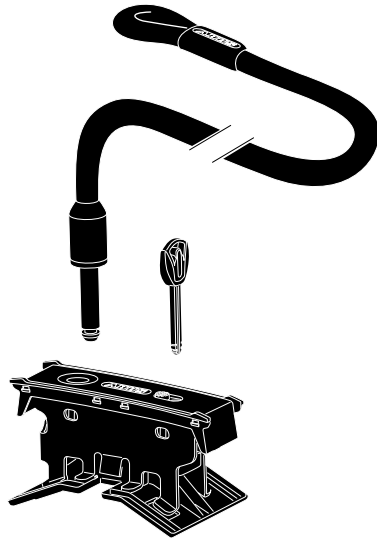
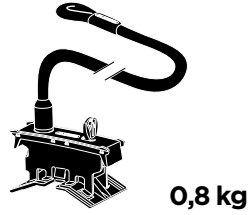
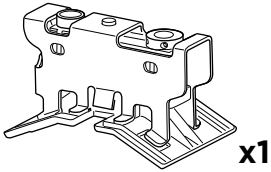
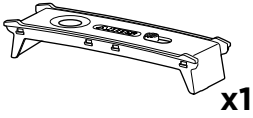
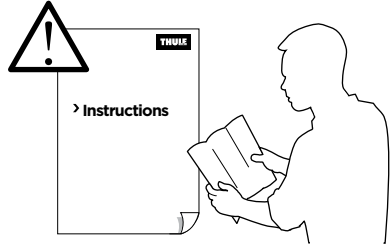
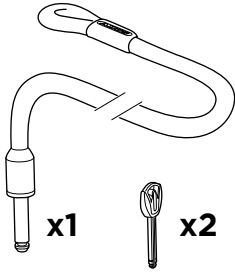


➤ Instructions

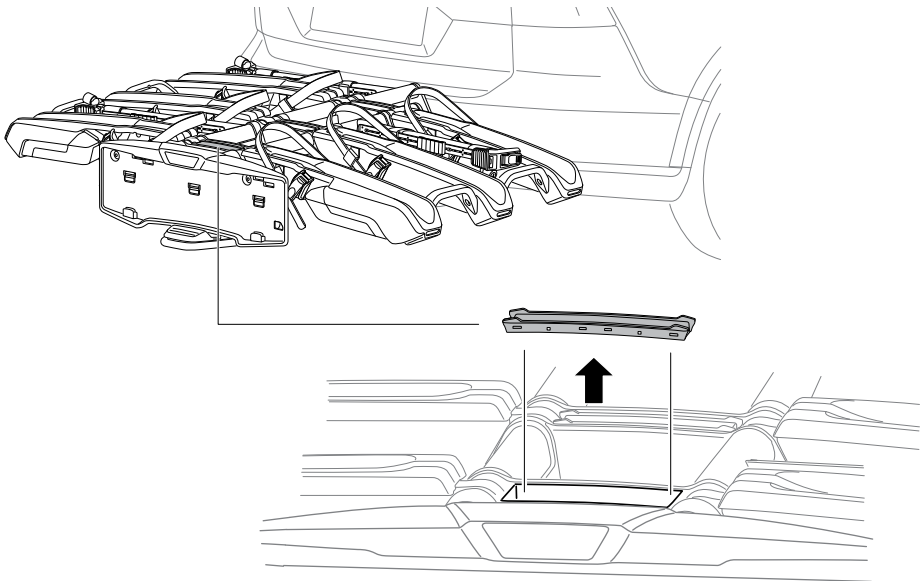
Thule High-Grade Lock

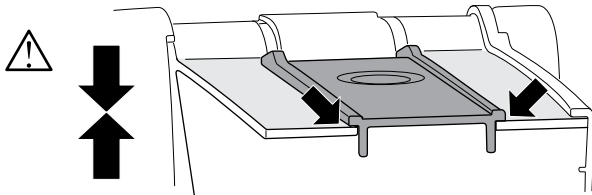
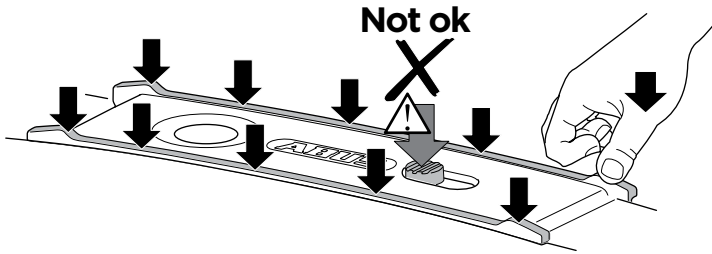
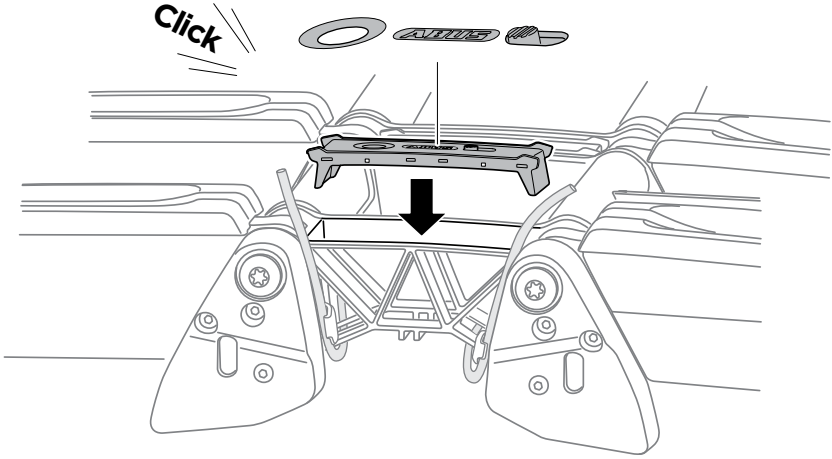
9785, for Thule Epos and Thule EasyFold 3



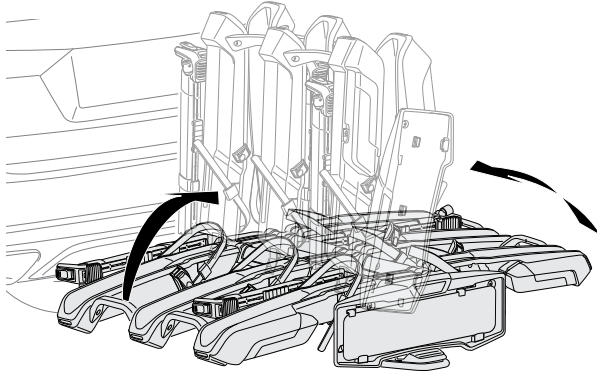


1

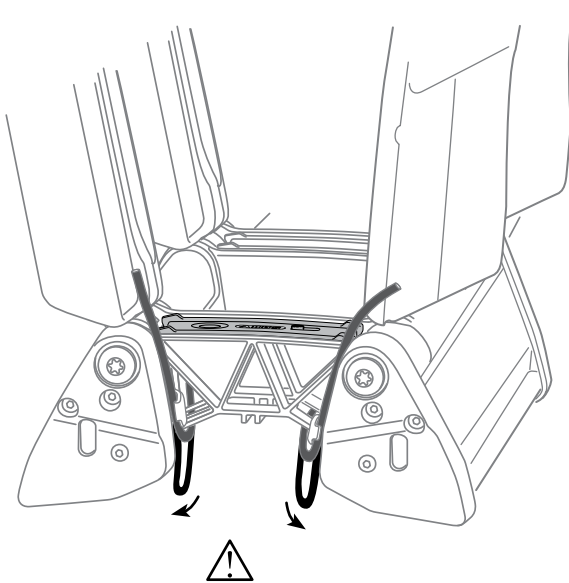


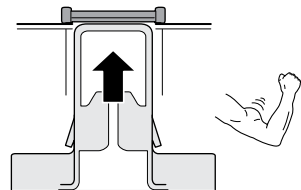
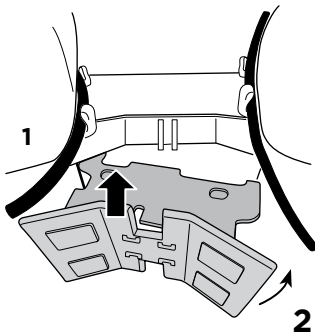
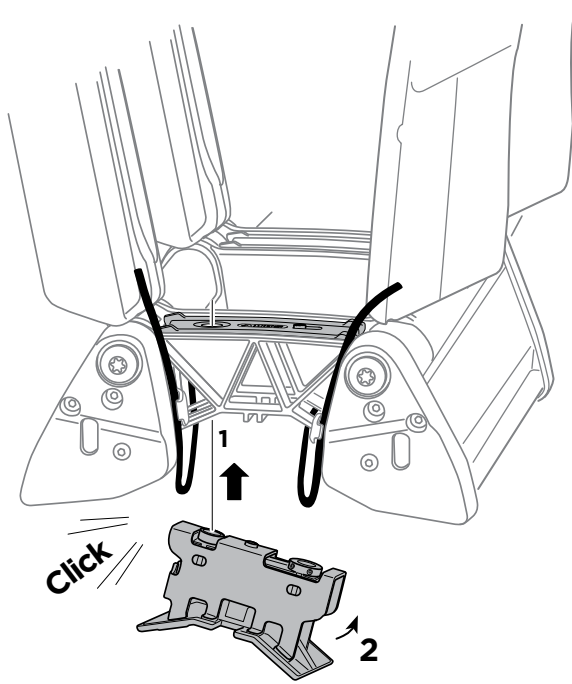


A

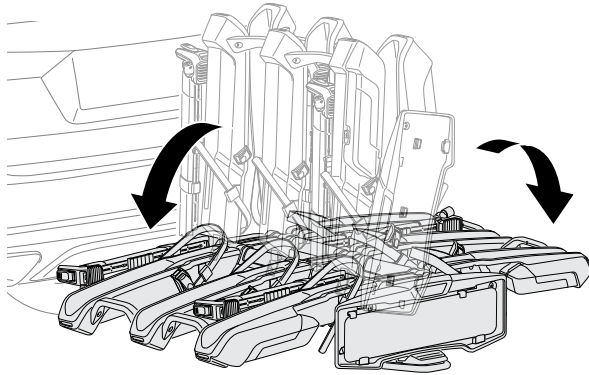


B

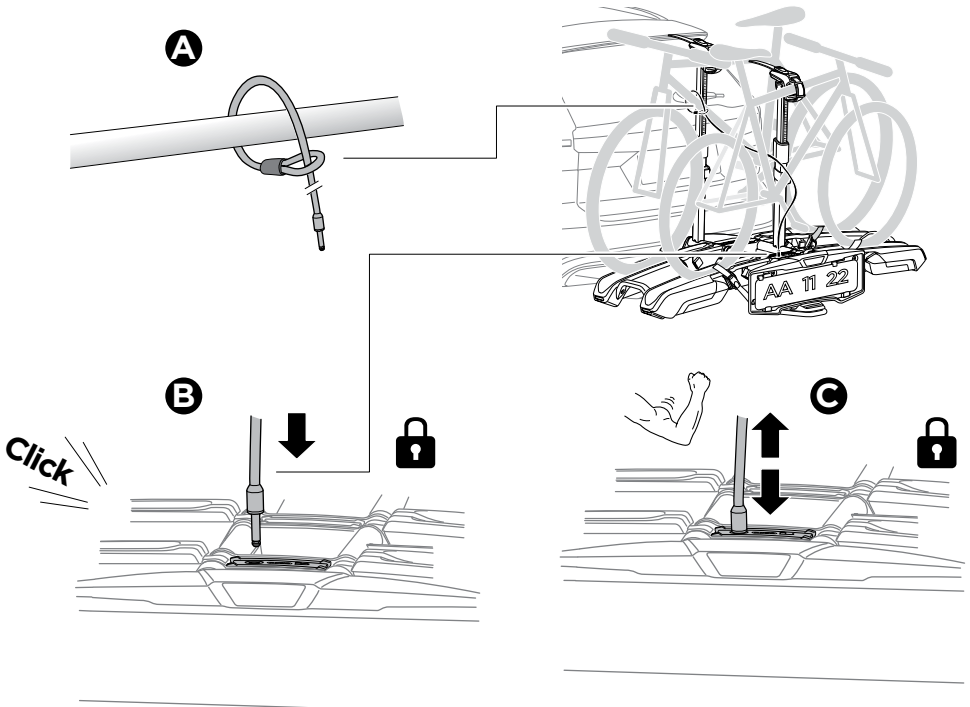


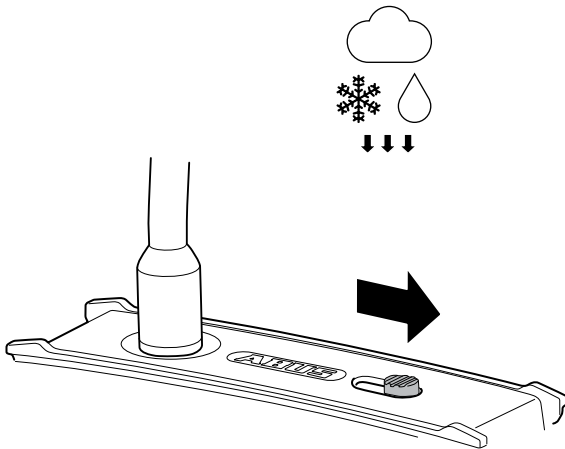
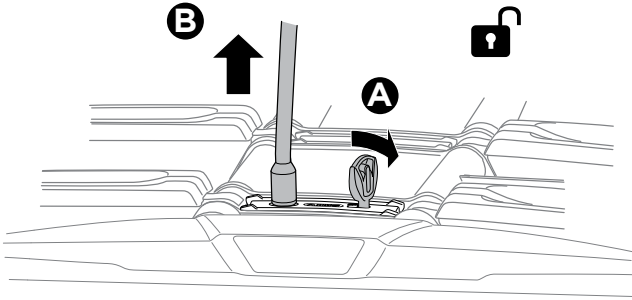


5



6





Thule Sweden AB

Borggatan 5
335 73 Hillerstorp, Sweden
info@thule.com
www.thule.com

© Thule Group Aug 2024. All rights reserved.

» PART OF THULE GROUP
5562420001