

# JETSTREAM CROSSBAR WITH BASELINE MOUNT

## HONDA HR-V 5 DOOR SUV 2015 - 2021 (NAKED ROOF)

### MEASUREMENTS



#### Front Crossbar

Inner edge of driver's side leg to inner edge of passenger's side leg

**959  
mm**



#### Rear Crossbar

Inner edge of driver's side leg to inner edge of passenger's side leg

**905  
mm**



#### Front Crossbar

Corner of painted or glass roof to leading edge of front pad or foot

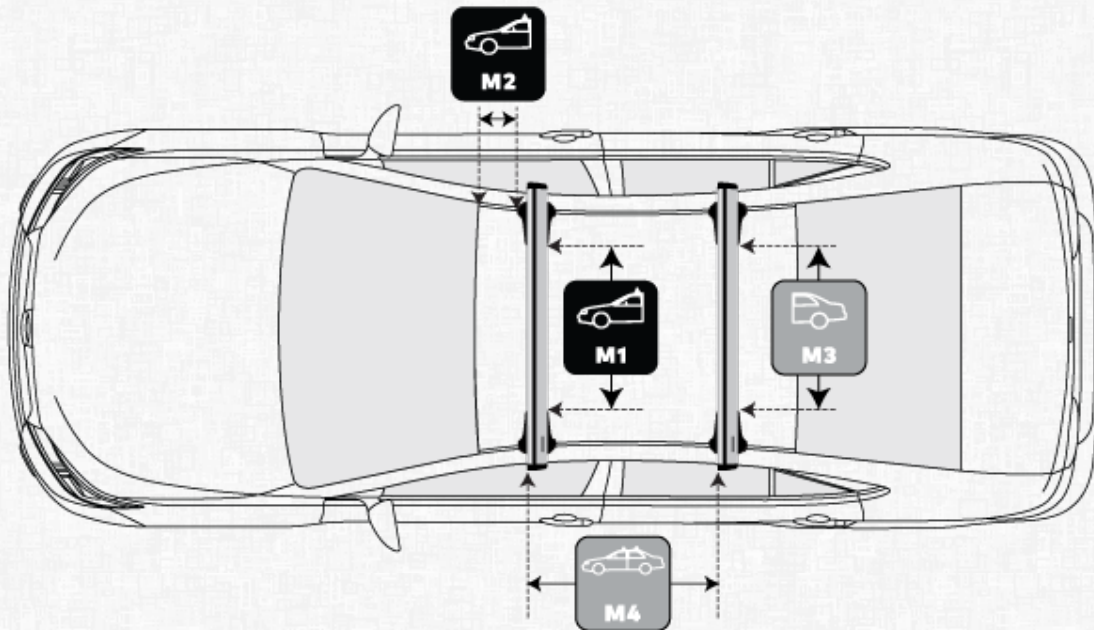
**152  
mm**



#### Crossbar Spread

Rear edge of front crossbar to rear edge of rear crossbar.

**813  
mm**



### PITCH SETTINGS



### Pitch 1

Adjustment on the front legs to help keep the crossbars level

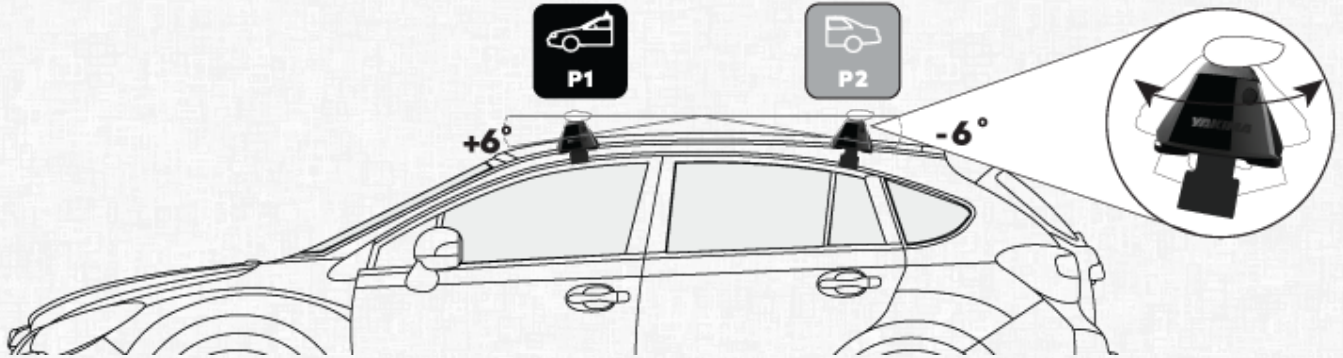
A



### Pitch 2

Adjustment on the rear legs to help keep the crossbars level

C



## TOE SETTINGS



### Front Toe Setting

Adjustment on the front legs to keep legs and crossbars perpendicular to the vehicle

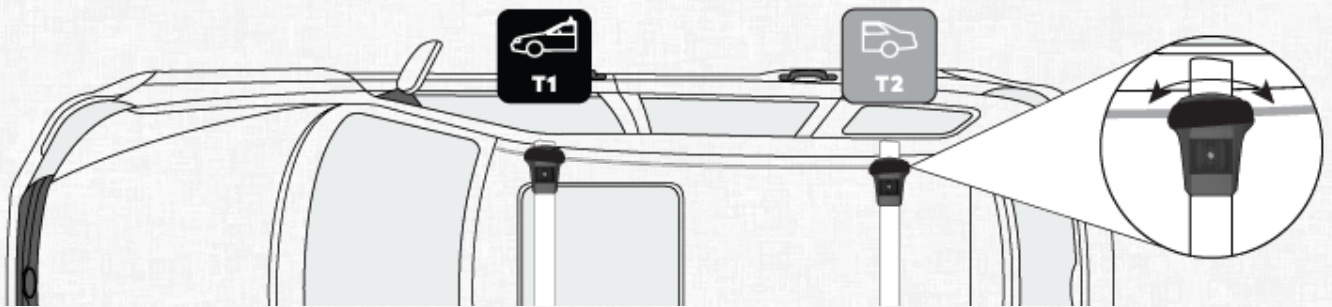
1



### Rear Toe Setting

Adjustment on the rear legs to keep legs and crossbars perpendicular to the vehicle

2



## BASE CLIP DETAILS



### Front Product

Name of BaseClip product required for front bar

BC182



### Rear Product

Name of BaseClip product required for rear bar

BC184



Front Pad



Rear Pad

**Front Pad**

Number on the pads  
required for the front bar

**5****Rear Pad**

Number on the pads  
required for the rear bar

**4****Front Clip Number**

Number on the clips  
required for the front bar

**B93****Rear Clip Number**

Number on the clips  
required for the rear bar

**B95**

---

UK-136228-277947