



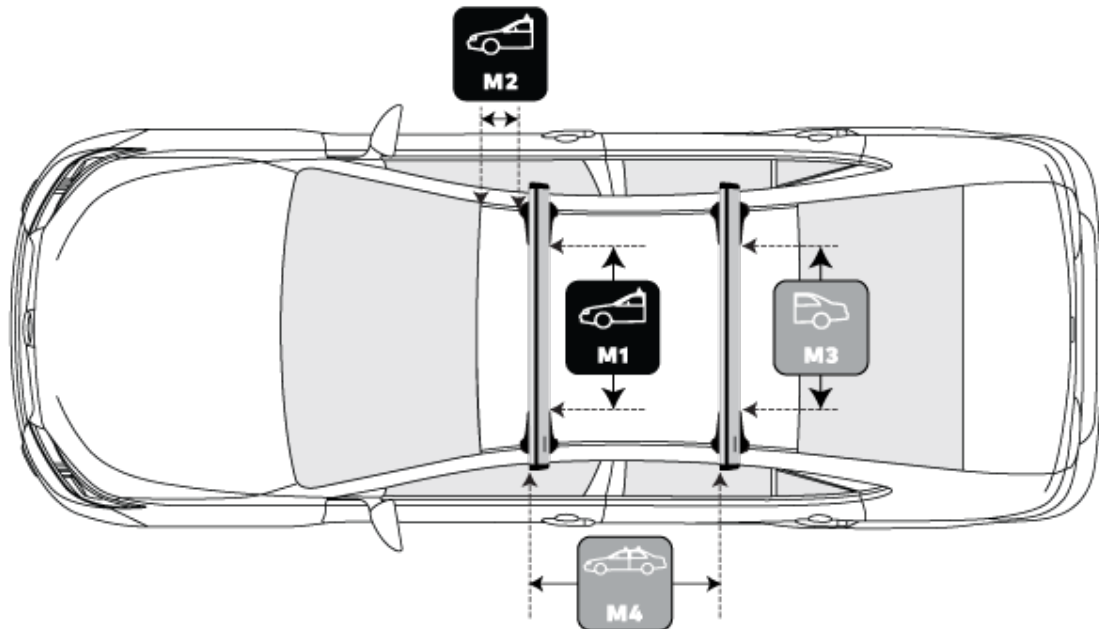


JETSTREAM CROSSBAR WITH BASELINE MOUNT

BMW X4 5 DOOR SUV 2018 - (NAKED ROOF)

MEASUREMENTS

 M1	Front Crossbar Inner edge of driver's side leg to inner edge of passenger's side leg	1054 mm	 M3	Rear Crossbar Inner edge of driver's side leg to inner edge of passenger's side leg	933 mm
 M2	Front Crossbar Corner of painted or glass roof to leading edge of front pad or foot	203 mm	 M4	Crossbar Spread Rear edge of front crossbar to rear edge of rear crossbar.	812 mm

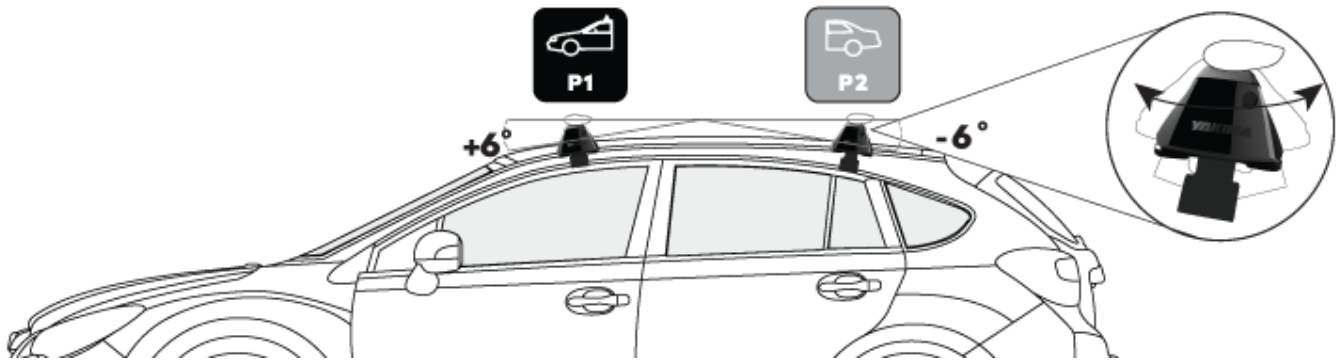


PITCH SETTINGS

 Pitch 1	 Pitch 2
---	---

P1 Adjustment on the front legs to help keep the crossbars level **A**

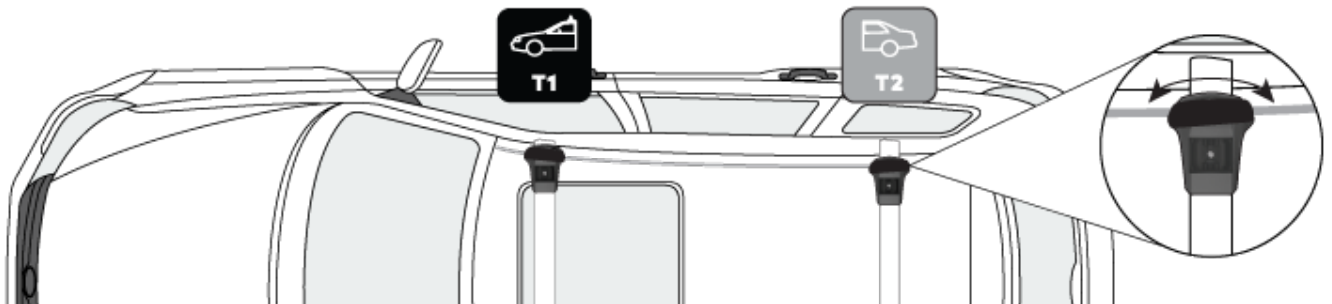
P2 Adjustment on the rear legs to help keep the crossbars level **C**



TOE SETTINGS

T1 **Front Toe Setting**
Adjustment on the front legs to keep legs and crossbars perpendicular to the vehicle **1**

T2 **Rear Toe Setting**
Adjustment on the rear legs to keep legs and crossbars perpendicular to the vehicle **2**



BASE CLIP DETAILS

Front Product
Name of BaseClip product required for front bar **BC135**

Rear Product
Name of BaseClip product required for rear bar **BC161**

Front Pad
Number on the pads **1**

Rear Pad
Number on the pads **1**



required for the front bar



required for the rear bar



Front Clip Number

Number on the clips
required for the front bar

B10



Rear Clip Number

Number on the clips
required for the rear bar

B49

UK-152040-278565
