


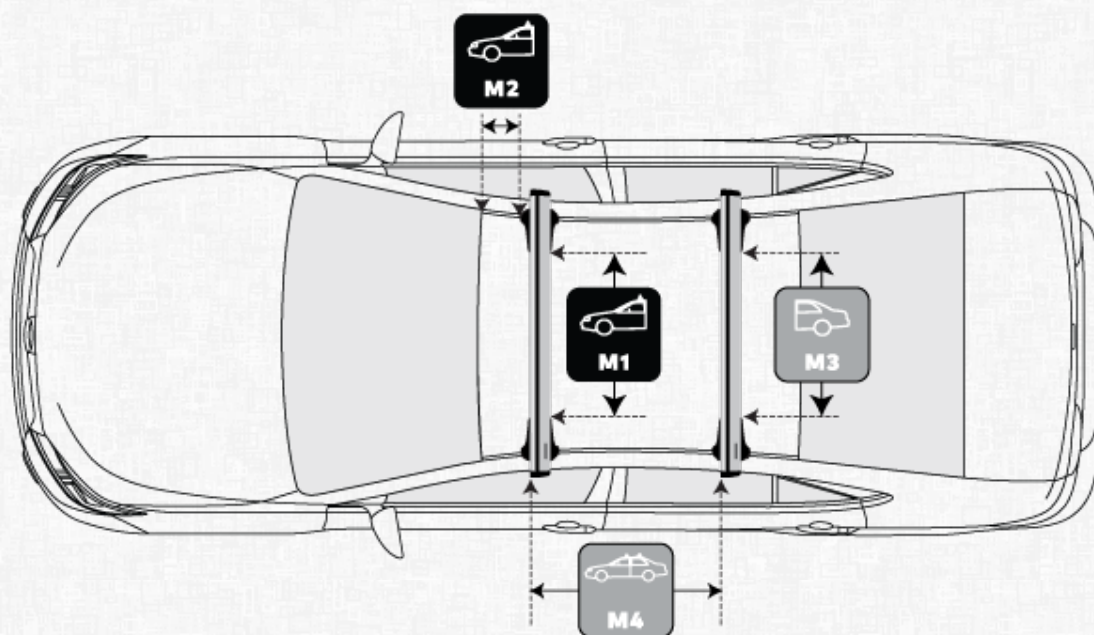


JETSTREAM CROSSBAR WITH BASELINE MOUNT

RENAULT CAPTUR 5 DOOR SUV 2020 - (NAKED ROOF)

MEASUREMENTS

 M1	Front Crossbar Inner edge of driver's side leg to inner edge of passenger's side leg	905 mm	 M3	Rear Crossbar Inner edge of driver's side leg to inner edge of passenger's side leg	855 mm
 M2	Front Crossbar Corner of painted or glass roof to leading edge of front pad or foot	235 mm	 M4	Crossbar Spread Rear edge of front crossbar to rear edge of rear crossbar.	770 mm



PITCH SETTINGS



Pitch 1

Adjustment on the front legs to help keep the crossbars level

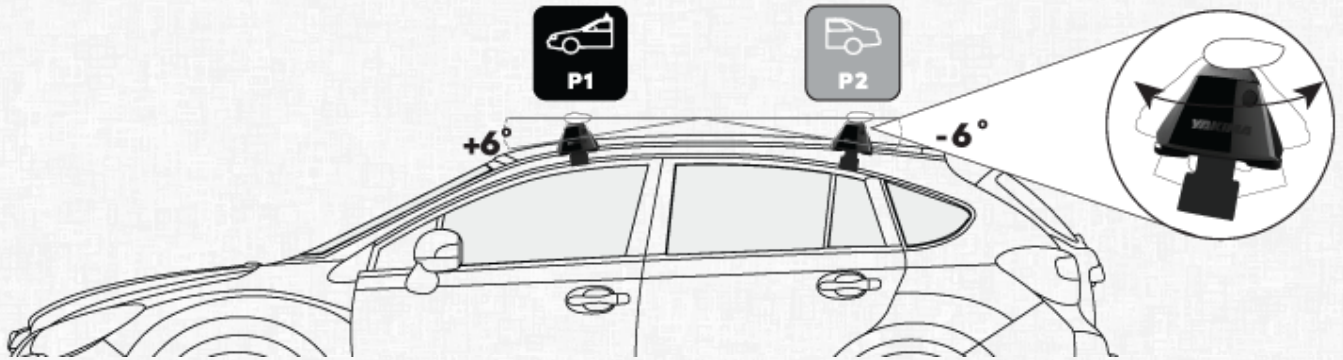
A



Pitch 2

Adjustment on the rear legs to help keep the crossbars level

B



TOE SETTINGS



Front Toe Setting

Adjustment on the front legs to keep legs and crossbars perpendicular to the vehicle

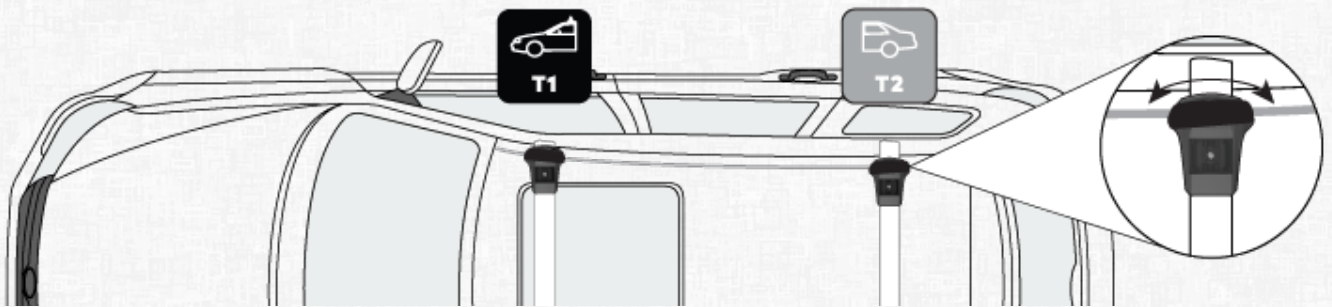
1



Rear Toe Setting

Adjustment on the rear legs to keep legs and crossbars perpendicular to the vehicle

2



BASE CLIP DETAILS



Front Product

Name of BaseClip product required for front bar

BC137



Rear Product

Name of BaseClip product required for rear bar

BC159



Front Pad



Rear Pad

**Front Pad**

Number on the pads
required for the front bar

5**Rear Pad**

Number on the pads
required for the rear bar

4**Front Clip Number**

Number on the clips
required for the front bar

B84**Rear Clip Number**

Number on the clips
required for the rear bar

B41

UK-152004-278094