

# JETSTREAM CROSSBAR WITH BASELINE MOUNT

## TOYOTA HILUX EXTRA CAB 4 DOOR UTE 2016 - (NAKED ROOF)

### MEASUREMENTS



#### Front Crossbar

Inner edge of driver's side leg to inner edge of passenger's side leg

**940  
mm**



#### Rear Crossbar

Inner edge of driver's side leg to inner edge of passenger's side leg

**938  
mm**



#### Front Crossbar

Corner of painted or glass roof to leading edge of front pad or foot

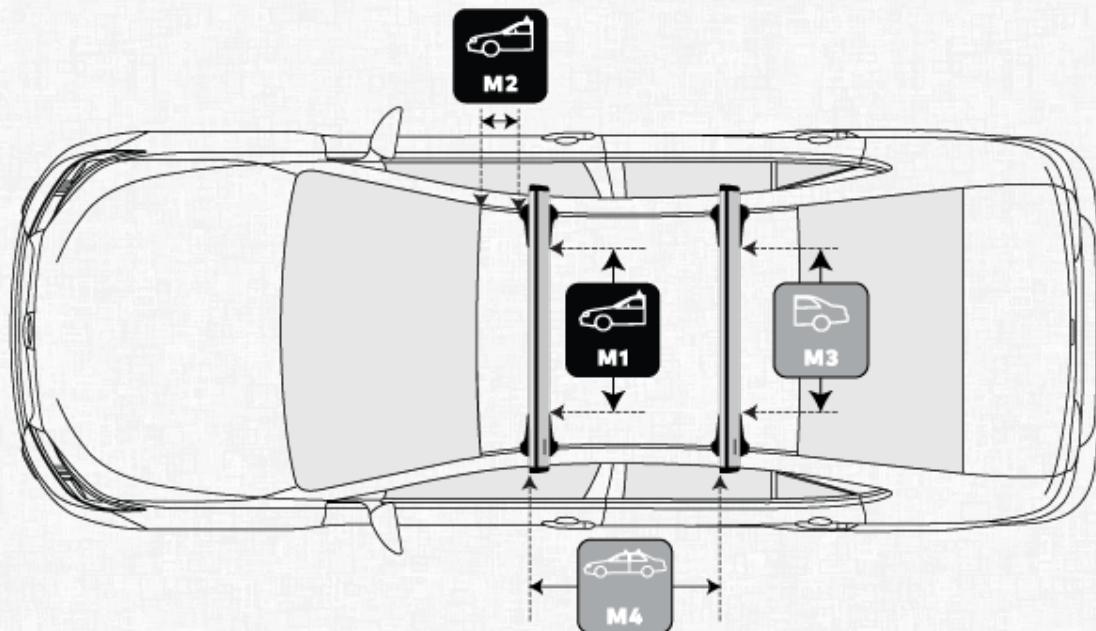
**240  
mm**



#### Crossbar Spread

Rear edge of front crossbar to rear edge of rear crossbar.

**700  
mm**



### PITCH SETTINGS



### Pitch 1

Adjustment on the front legs to help keep the crossbars level

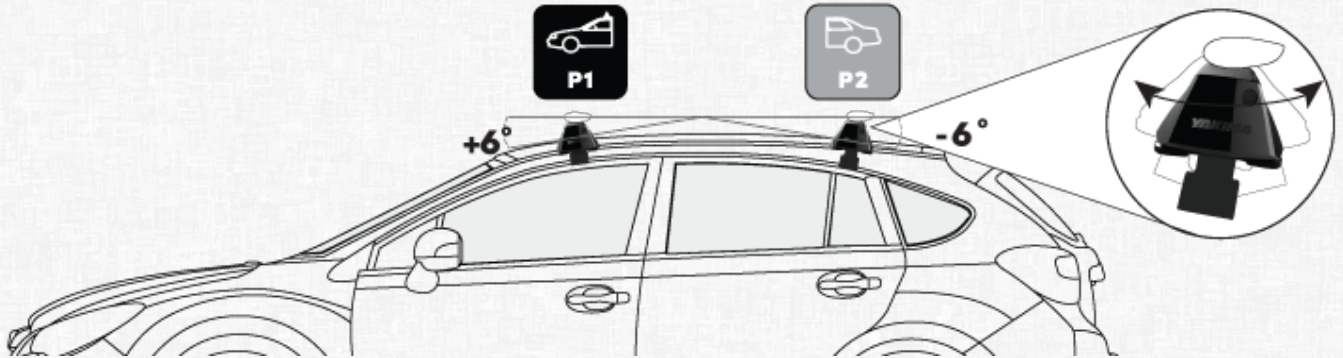
A



### Pitch 2

Adjustment on the rear legs to help keep the crossbars level

B



## TOE SETTINGS



### Front Toe Setting

Adjustment on the front legs to keep legs and crossbars perpendicular to the vehicle

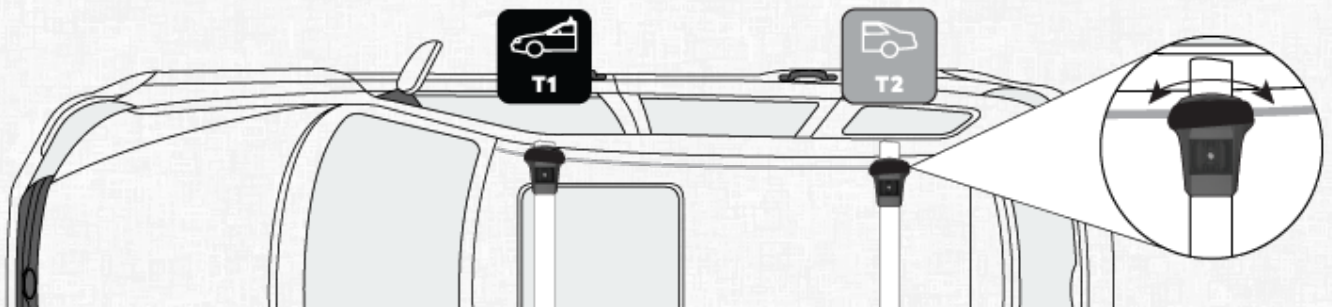
2



### Rear Toe Setting

Adjustment on the rear legs to keep legs and crossbars perpendicular to the vehicle

2



## BASE CLIP DETAILS



### Front Product

Name of BaseClip product required for front bar

BC175



### Rear Product

Name of BaseClip product required for rear bar

BC175



### Front Pad



### Rear Pad



Number on the pads  
required for the front bar

**N/A**



Number on the pads  
required for the rear bar

**N/A**



**Front Clip Number**

Number on the clips  
required for the front bar

**B85**



**Rear Clip Number**

Number on the clips  
required for the rear bar

**B85**

---

UK-142653-282697