



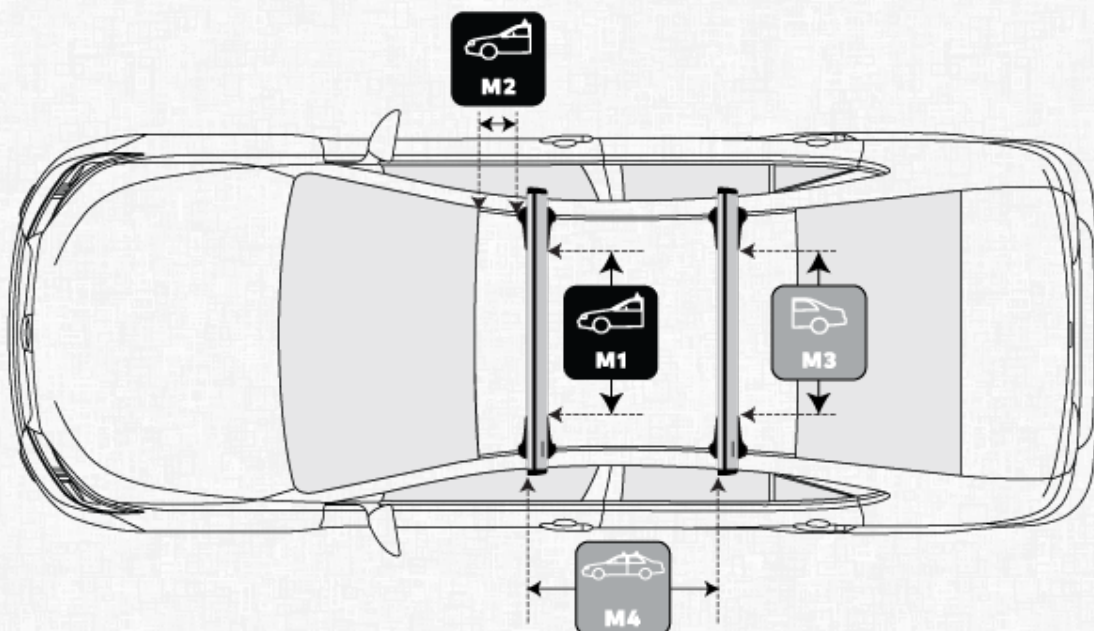


JETSTREAM WITH BASELINE MOUNT

HONDA JAZZ 5 DOOR HATCH 2015 - 2020 (NAKED ROOF)

MEASUREMENTS

 <p>M1</p>	<p>Front Crossbar Inner edge of driver's side leg to inner edge of passenger's side leg</p> <p>879 mm</p>	 <p>M3</p>	<p>Rear Crossbar Inner edge of driver's side leg to inner edge of passenger's side leg</p> <p>762 mm</p>
 <p>M2</p>	<p>Front Crossbar Corner of painted or glass roof to leading edge of front pad or foot</p> <p>203 mm</p>	 <p>M4</p>	<p>Crossbar Spread Rear edge of front crossbar to rear edge of rear crossbar.</p> <p>813 mm</p>



PITCH SETTINGS



Pitch 1

Adjustment on the front legs to help keep the crossbars level

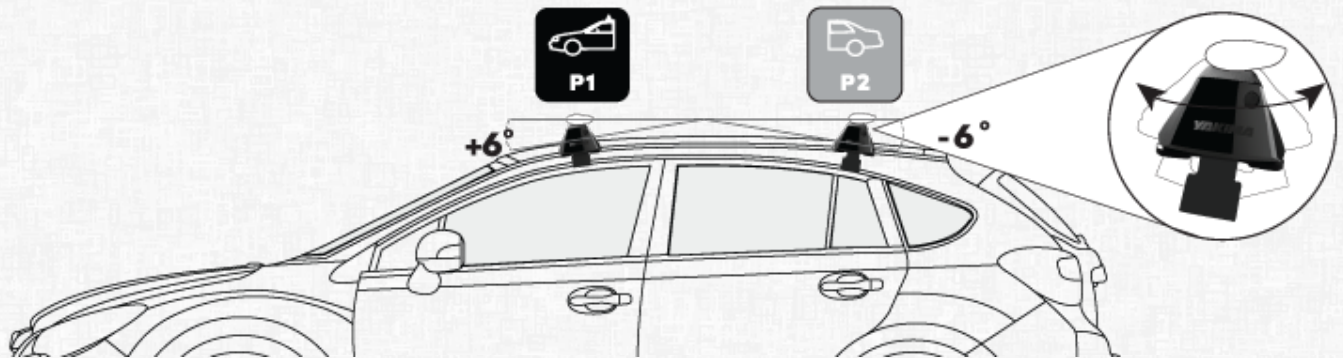
A



Pitch 2

Adjustment on the rear legs to help keep the crossbars level

B



TOE SETTINGS



Front Toe Setting

Adjustment on the front legs to keep legs and crossbars perpendicular to the vehicle

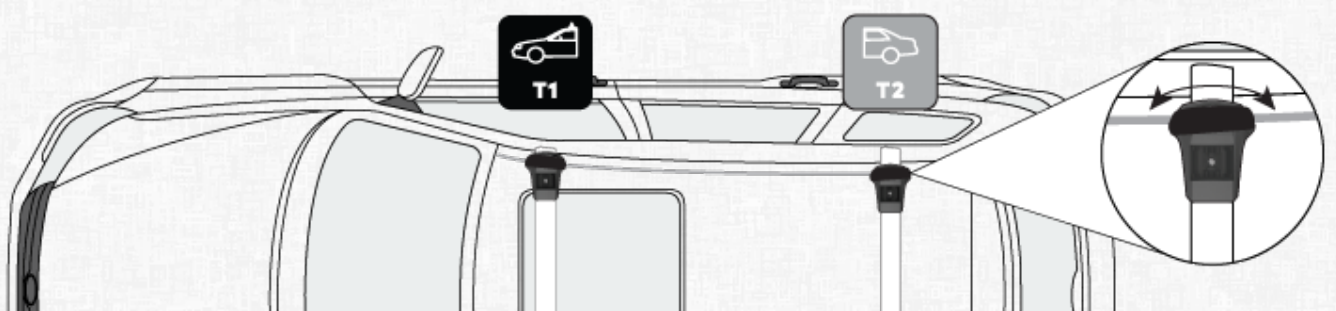
1



Rear Toe Setting

Adjustment on the rear legs to keep legs and crossbars perpendicular to the vehicle

2



BASE CLIP DETAILS



Front Product

Name of BaseClip product required for front bar

BC156



Rear Product

Name of BaseClip product required for rear bar

BC165



Front Pad

Number on the pads
required for the front bar

5



Rear Pad

Number on the pads
required for the rear bar

5



Front Clip Number

Number on the clips
required for the front bar

B15



Rear Clip Number

Number on the clips
required for the rear bar

B66