
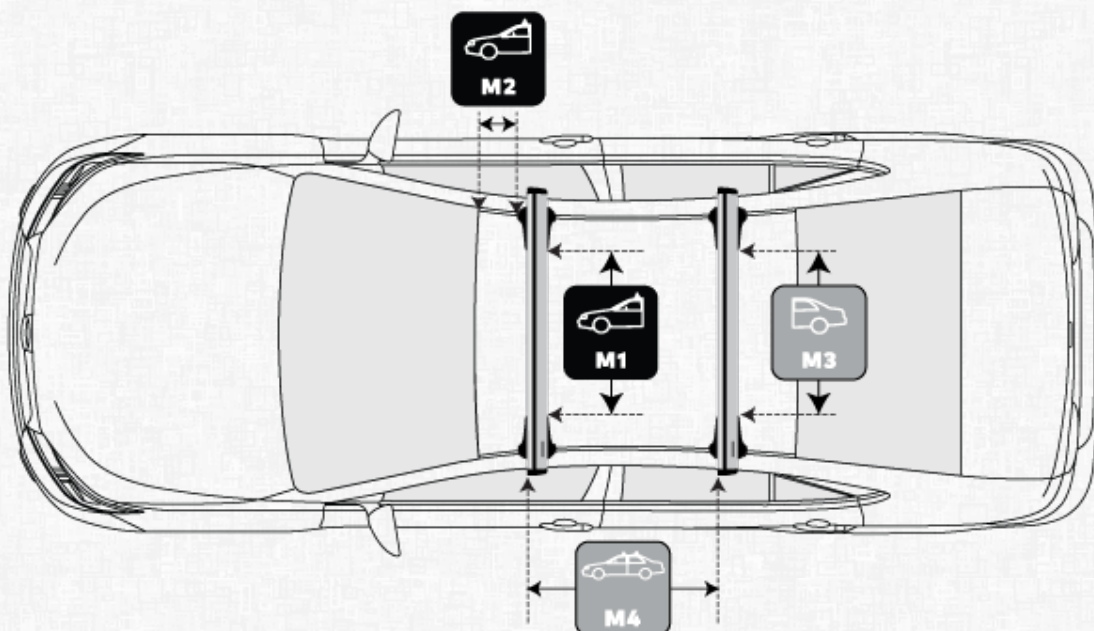


# JETSTREAM CROSSBAR WITH BASELINE MOUNT

## TOYOTA AURIS 5 DOOR HATCH 2012 - 2018 (NAKED ROOF)

### MEASUREMENTS

 <p><b>M1</b></p>	<p><b>Front Crossbar</b></p>	<p>Inner edge of driver's side leg to inner edge of passenger's side leg</p>	<p><b>877</b> mm</p>	 <p><b>M3</b></p>	<p><b>Rear Crossbar</b></p>	<p>Inner edge of driver's side leg to inner edge of passenger's side leg</p>	<p><b>827</b> mm</p>
 <p><b>M2</b></p>	<p><b>Front Crossbar</b></p>	<p>Corner of painted or glass roof to leading edge of front pad or foot</p>	<p><b>220</b> mm</p>	 <p><b>M4</b></p>	<p><b>Crossbar Spread</b></p>	<p>Rear edge of front crossbar to rear edge of rear crossbar.</p>	<p><b>750</b> mm</p>



## PITCH SETTINGS



### Pitch 1

Adjustment on the front legs to help keep the crossbars level

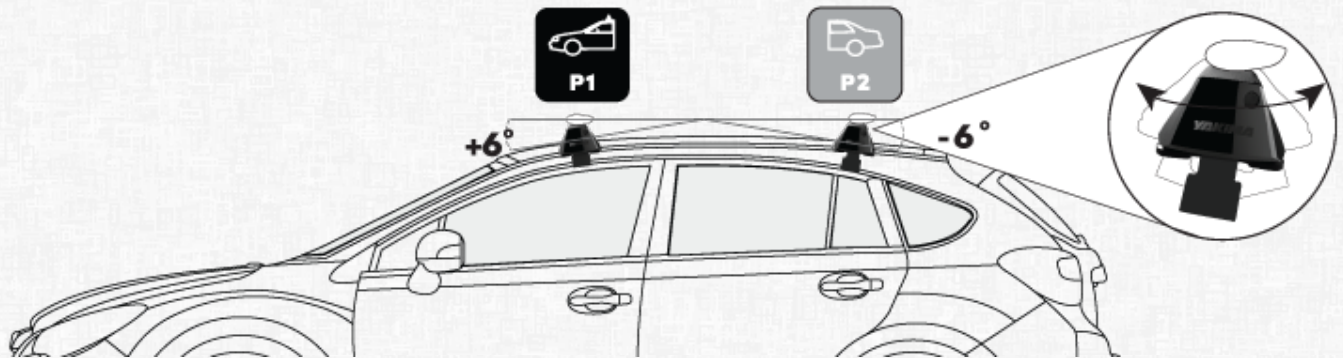
A



### Pitch 2

Adjustment on the rear legs to help keep the crossbars level

B



## TOE SETTINGS



### Front Toe Setting

Adjustment on the front legs to keep legs and crossbars perpendicular to the vehicle

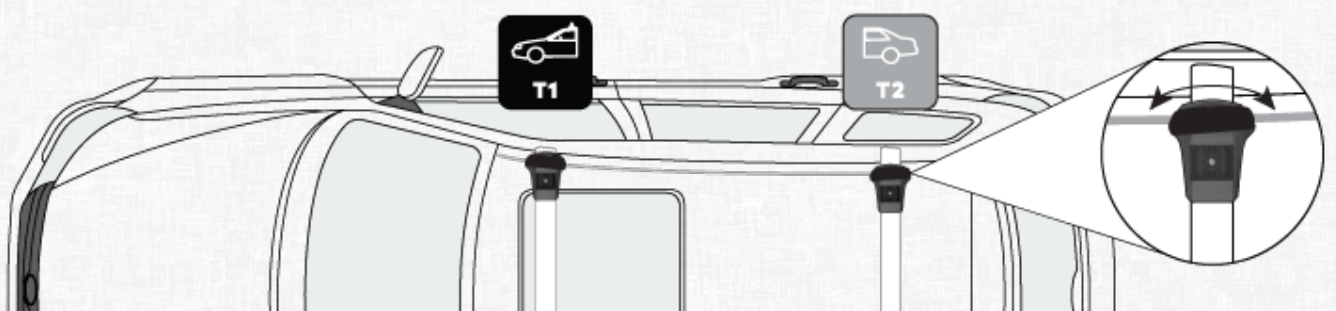
1



### Rear Toe Setting

Adjustment on the rear legs to keep legs and crossbars perpendicular to the vehicle

2



## BASE CLIP DETAILS



### Front Product

Name of BaseClip product required for front bar

BC162



### Rear Product

Name of BaseClip product required for rear bar

BC170



### Front Pad

Number on the pads  
required for the front bar

**3**



### Rear Pad

Number on the pads  
required for the rear bar

**4**



### Front Clip Number

Number on the clips  
required for the front bar

**B84**



### Rear Clip Number

Number on the clips  
required for the rear bar

**B73**