

JETSTREAM CROSSBAR WITH BASELINE MOUNT

KIA SPORTAGE 5 DOOR SUV 2010 - 2015 (NAKED ROOF)

MEASUREMENTS



Front Crossbar

Inner edge of driver's side leg to inner edge of passenger's side leg

984
mm



Rear Crossbar

Inner edge of driver's side leg to inner edge of passenger's side leg

948
mm



Front Crossbar

Corner of painted or glass roof to leading edge of front pad or foot

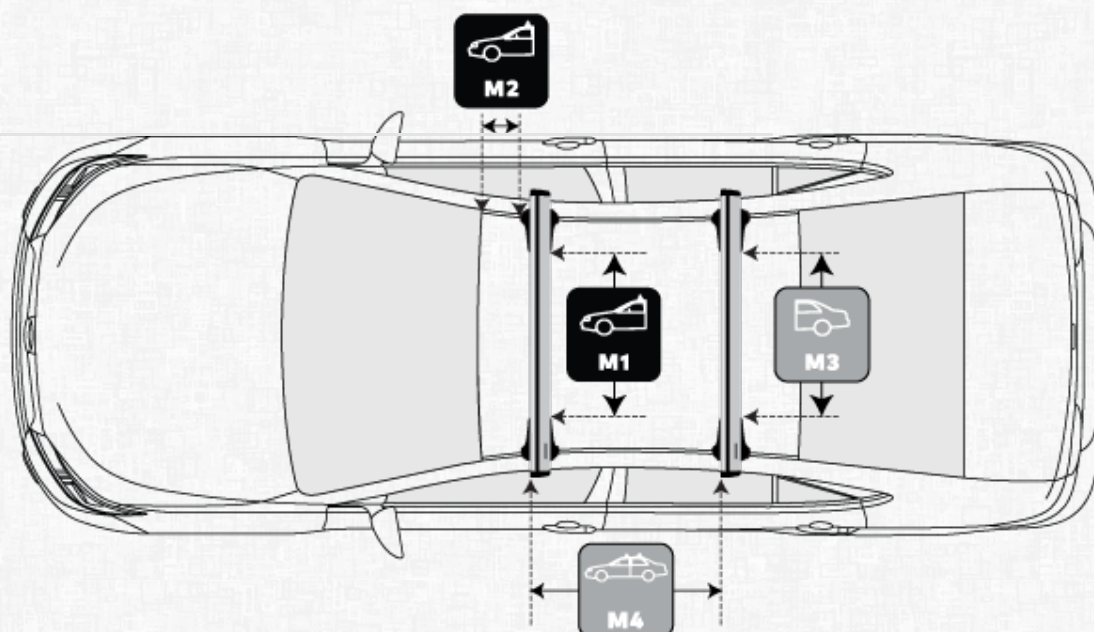
203
mm



Crossbar Spread

Rear edge of front crossbar to rear edge of rear crossbar.

812
mm



PITCH SETTINGS



Pitch 1

Adjustment on the front legs to help keep the crossbars level

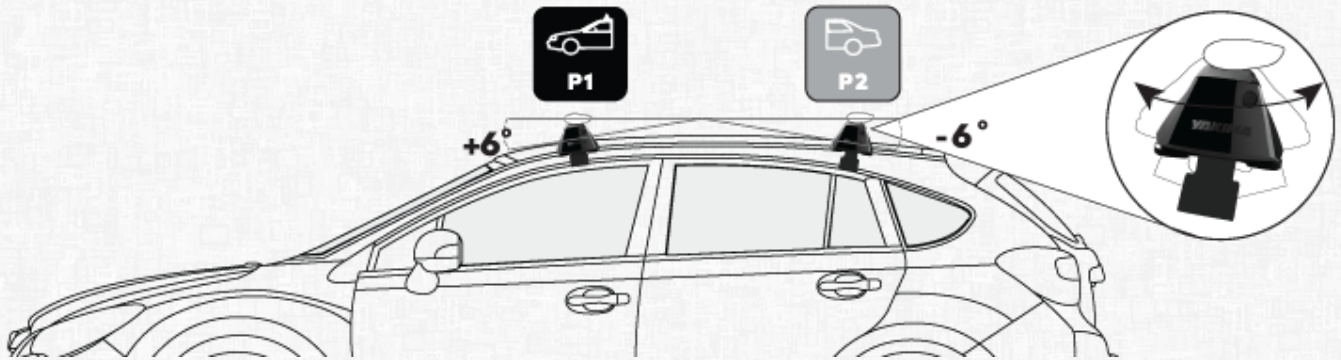
A



Pitch 2

Adjustment on the rear legs to help keep the crossbars level

B



TOE SETTINGS



Front Toe Setting

Adjustment on the front legs to keep legs and crossbars perpendicular to the vehicle

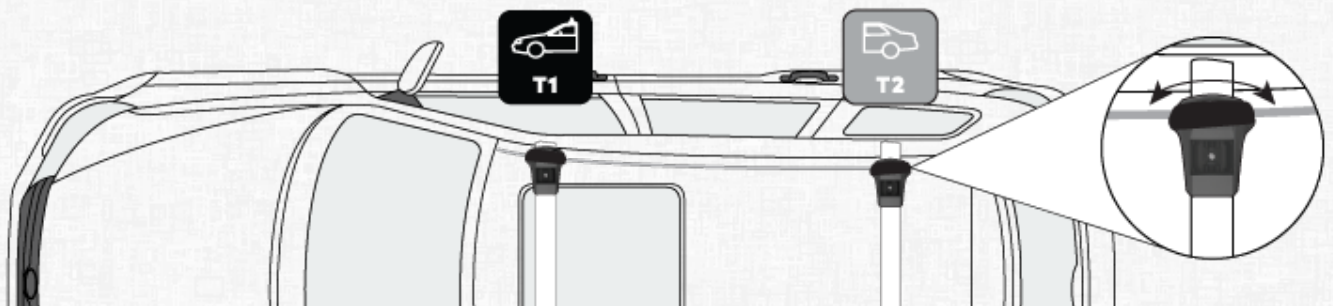
1



Rear Toe Setting

Adjustment on the rear legs to keep legs and crossbars perpendicular to the vehicle

2



BASE CLIP DETAILS



Front Product

Name of BaseClip product required for front bar

BC169



Rear Product

Name of BaseClip product required for rear bar

BC169



Front Pad

Number on the pads
required for the front bar

4



Rear Pad

Number on the pads
required for the rear bar

4



Front Clip Number

Number on the clips
required for the front bar

B66



Rear Clip Number

Number on the clips
required for the rear bar

B66

UK-133034-277989