

JETSTREAM CROSSBAR WITH BASELINE MOUNT

HONDA CIVIC 4 DOOR SEDAN 2017 - 2020 (NAKED ROOF)

MEASUREMENTS



Front Crossbar

Inner edge of driver's side leg to inner edge of passenger's side leg

**927
mm**



Rear Crossbar

Inner edge of driver's side leg to inner edge of passenger's side leg

**911
mm**



Front Crossbar

Corner of painted or glass roof to leading edge of front pad or foot

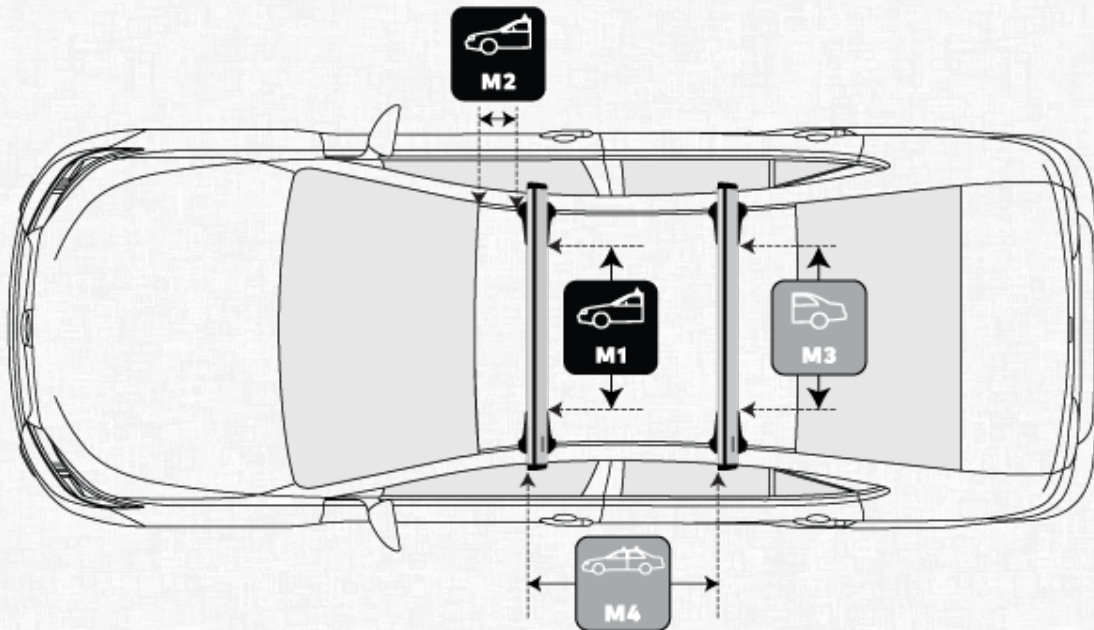
**152
mm**



Crossbar Spread

Rear edge of front crossbar to rear edge of rear crossbar.

**812
mm**



PITCH SETTINGS



Pitch 1

Adjustment on the front legs to help keep the crossbars level

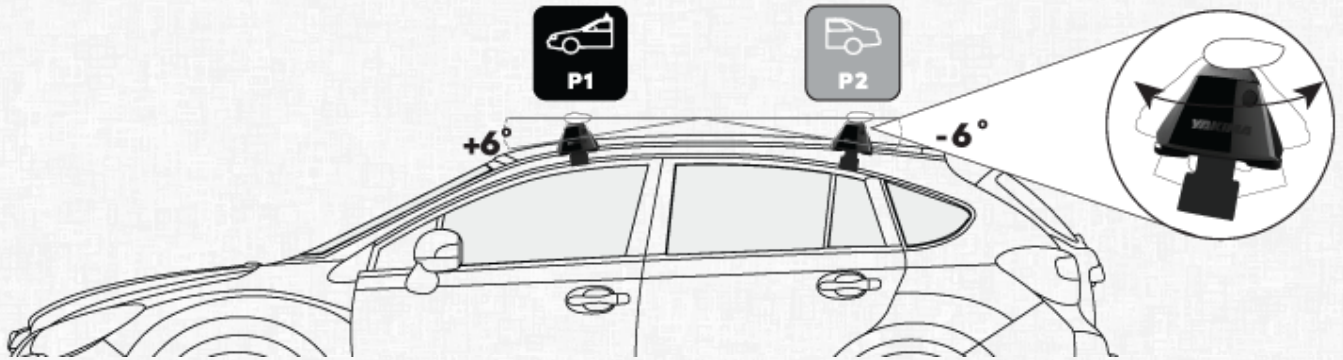
A



Pitch 2

Adjustment on the rear legs to help keep the crossbars level

C



TOE SETTINGS



Front Toe Setting

Adjustment on the front legs to keep legs and crossbars perpendicular to the vehicle

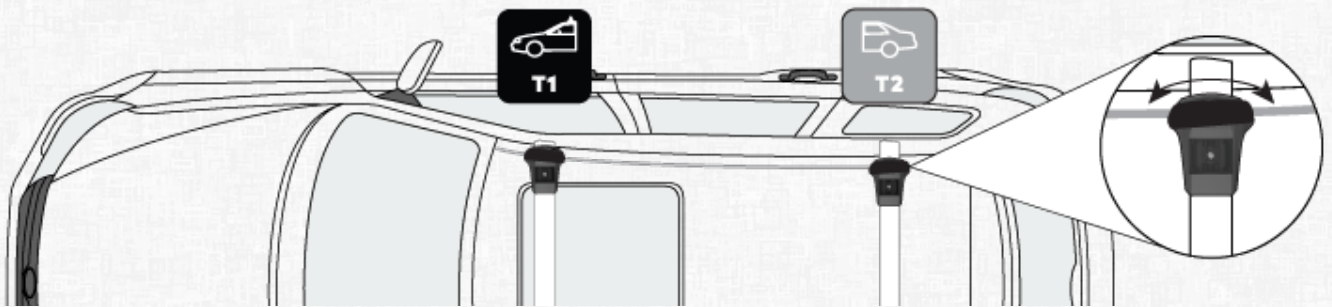
1



Rear Toe Setting

Adjustment on the rear legs to keep legs and crossbars perpendicular to the vehicle

2



BASE CLIP DETAILS



Front Product

Name of BaseClip product required for front bar

BC182



Rear Product

Name of BaseClip product required for rear bar

BC183



Front Pad



Rear Pad



Front Pad

Number on the pads
required for the front bar

5



Rear Pad

Number on the pads
required for the rear bar

4



Front Clip Number

Number on the clips
required for the front bar

B93



Rear Clip Number

Number on the clips
required for the rear bar

B94

UK-145728-277944