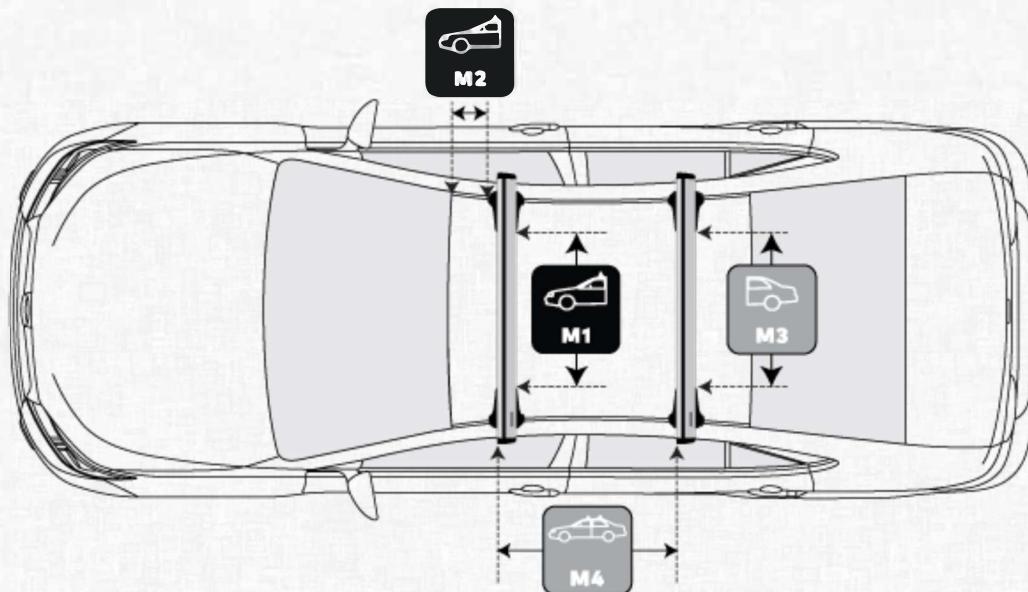


# JETSTREAM CROSSBAR WITH SKYLINE MOUNT

## 2019 BMW 1 SERIES F40 5 DOOR HATCH 2019 - (NAKED ROOF)

### MEASUREMENTS

 <b>M1</b>	<b>Front Crossbar</b> Inner edge of driver's side leg to inner edge of passenger's side leg	<b>870 mm</b>	 <b>M3</b>	<b>Rear Crossbar</b> Inner edge of driver's side leg to inner edge of passenger's side leg	<b>815 mm</b>
 <b>M2</b>	<b>Front Crossbar</b> Corner of painted or glass roof to leading edge of front pad or foot	<b>N/A</b>	 <b>M4</b>	<b>Crossbar Spread</b> Rear edge of front crossbar to rear edge of rear crossbar.	<b>700 mm</b>



### PITCH SETTINGS



**P1**

**Pitch 1**

Adjustment on the front legs to help keep the crossbars level

**A**

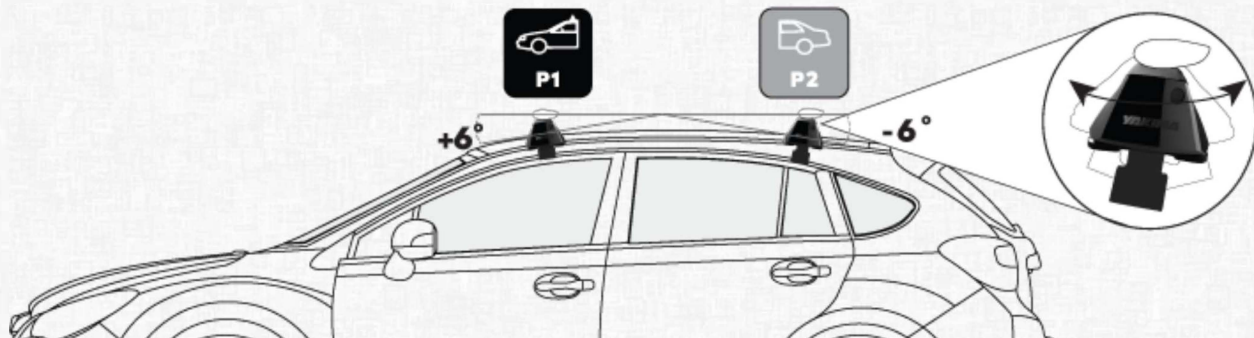


**P2**

**Pitch 2**

Adjustment on the rear legs to help keep the crossbars level

**B**



**LANDING PAD DETAILS (LP25)**



**Pad Type**

Part number to indicate which pad shape to use

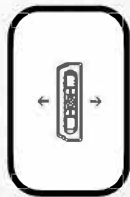
**5023013**



**Front Bolts**

Which bolts from the pack are required to secure the front bar

**M7x30 mm**



**Pad Orientation**

Indicates which way to place the pads on the vehicle

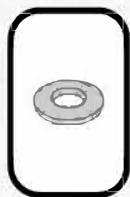
**Arrow  
OUT  
<||>**



**Mid Bolts (3 Bar Fits only)**

Which bolts from the pack are required to secure middle bar in 3 bar fits

**N/A**



**Washer**

Washers to be used on each bolt to secure the bar/s

**M7**



**Rear Bolts**

Which bolts from the pack are required to secure the rear bar

**M7x30 mm**