



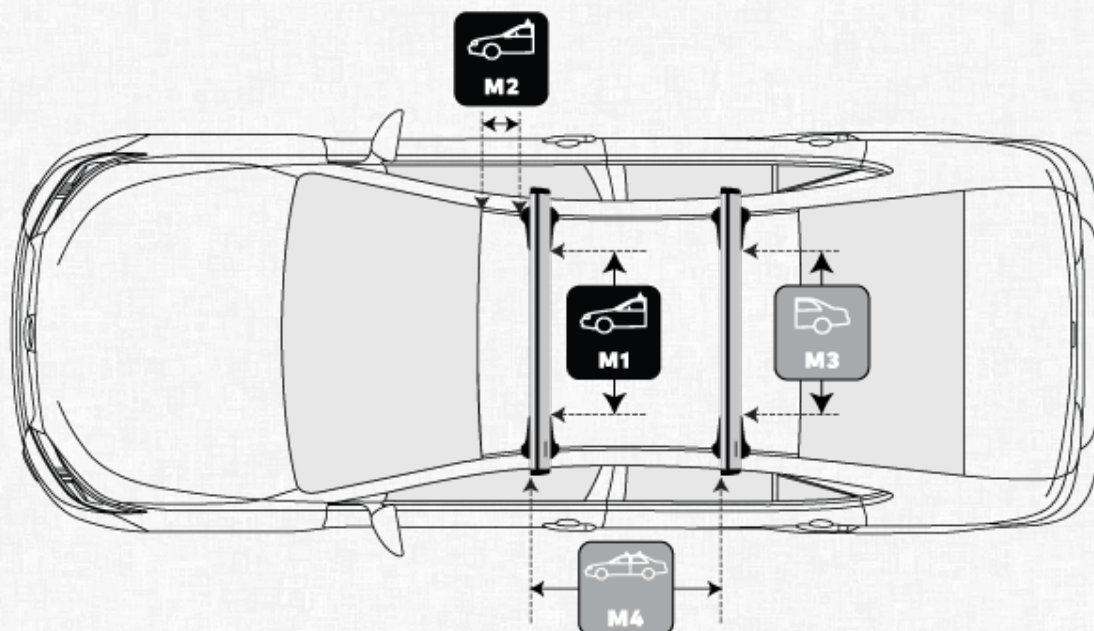


JETSTREAM CROSSBAR WITH SIGHTLINE MOUNT

BMW 3 SERIES TOURING 5 DOOR ESTATE 2019 - (FLUSH RAILS)

MEASUREMENTS

| | | | | | |
|--|--|---------------|--|---|---------------|
|  M1 | Front Crossbar Inner edge of driver's side leg to inner edge of passenger's side leg | 910 mm |  M3 | Rear Crossbar Inner edge of driver's side leg to inner edge of passenger's side leg | 885 mm |
|  M2 | Front Crossbar Corner of painted or glass roof to leading edge of front pad or foot | 412 mm |  M4 | Crossbar Spread Rear edge of front crossbar to rear edge of rear crossbar. | 800 mm |



PITCH SETTINGS



Pitch 1

Adjustment on the front legs to help keep the crossbars level

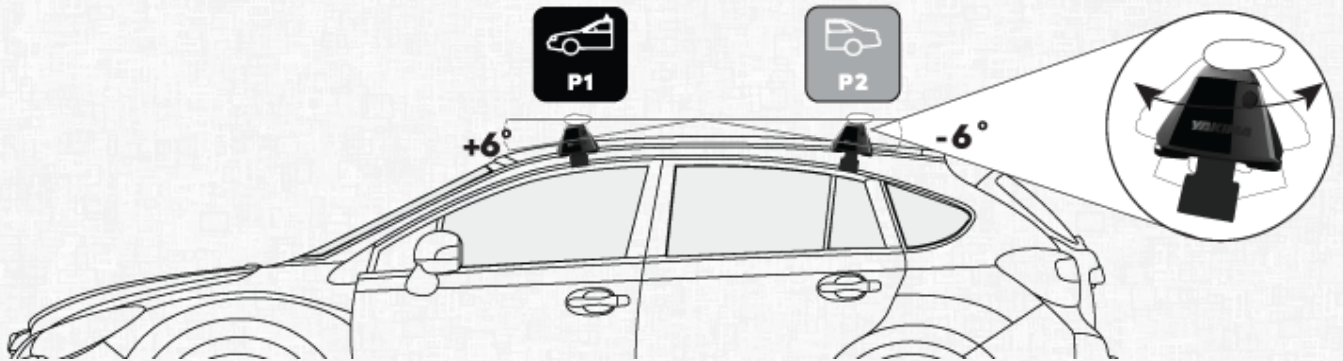
B



Pitch 2

Adjustment on the rear legs to help keep the crossbars level

C



(SC31) SIGHT CLIP DETAILS



Front Inner Clip

Number imprinted on inner clip to be used on front bar

R19



Rear Inner Clip

Number imprinted on inner clip to be used on rear bar

R19



Front Outer Clip

Number imprinted on outer clip to be used on front bar

R14



Rear Outer Clip

Number imprinted on outer clip to be used on rear bar

R14