



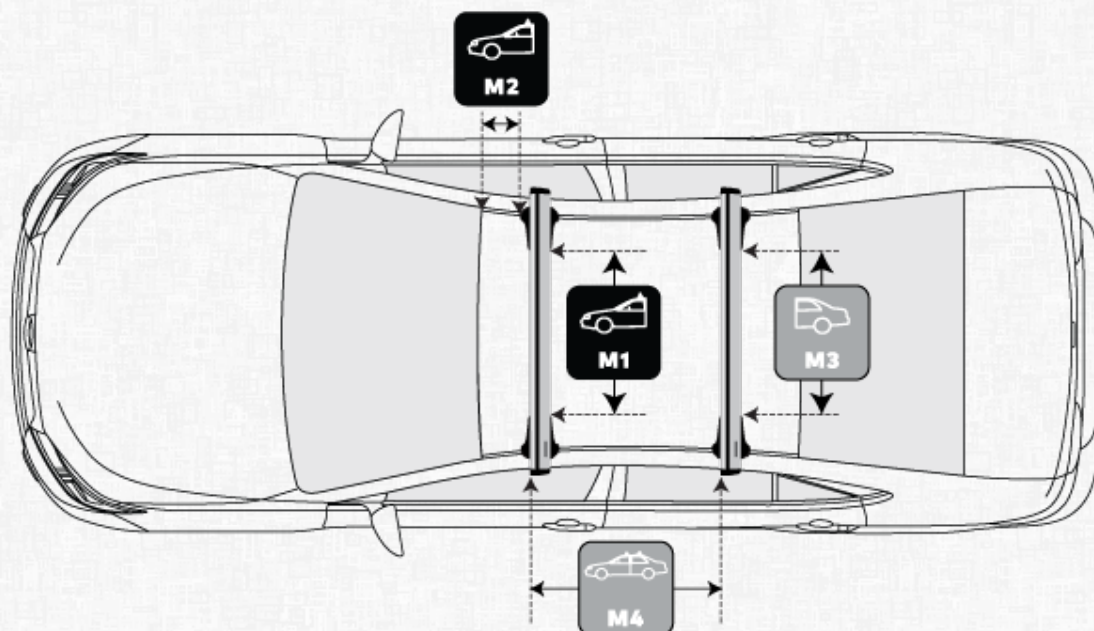


JETSTREAM CROSSBAR WITH SIGHTLINE MOUNT

MITSUBISHI ASX 5 DOOR SUV 2010 - (FLUSH RAILS)

MEASUREMENTS

 M1	Front Crossbar Inner edge of driver's side leg to inner edge of passenger's side leg	965 mm	 M3	Rear Crossbar Inner edge of driver's side leg to inner edge of passenger's side leg	910 mm
 M2	Front Crossbar Corner of painted or glass roof to leading edge of front pad or foot	400 mm	 M4	Crossbar Spread Rear edge of front crossbar to rear edge of rear crossbar.	720 mm



PITCH SETTINGS



Pitch 1

Adjustment on the front legs to help keep the crossbars level

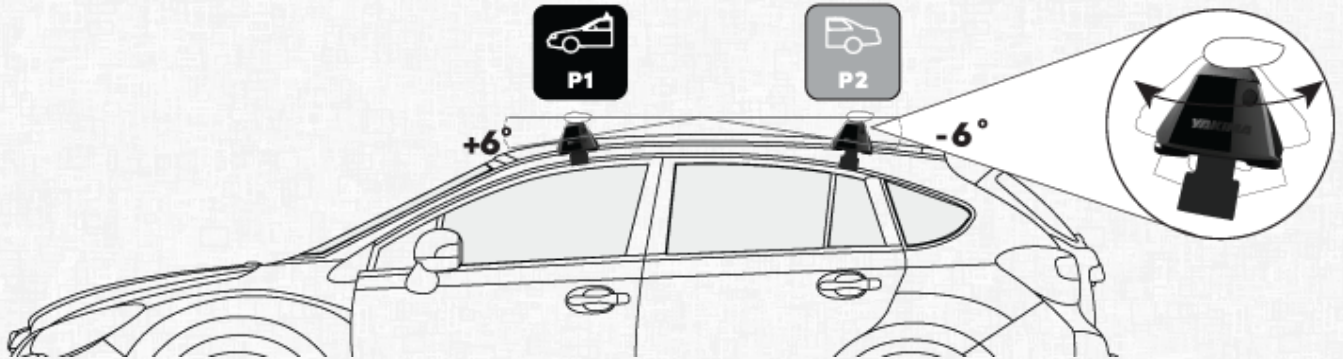
A



Pitch 2

Adjustment on the rear legs to help keep the crossbars level

B



(SC62) SIGHT CLIP DETAILS



Front Inner Clip

Number imprinted on inner clip to be used on front bar

R12



Rear Inner Clip

Number imprinted on inner clip to be used on rear bar

R12



Front Outer Clip

Number imprinted on outer clip to be used on front bar

R62



Rear Outer Clip

Number imprinted on outer clip to be used on rear bar

R62