

# MG HS 5 DOOR SUV 2019 - (FLUSH RAILS)

## MEASUREMENTS



### Front Crossbar

Inner edge of driver's side leg to inner edge of passenger's side leg

**938 mm**



### Rear Crossbar

Inner edge of driver's side leg to inner edge of passenger's side leg

**870 mm**



### Front Crossbar

Corner of painted or glass roof to leading edge of front pad or foot

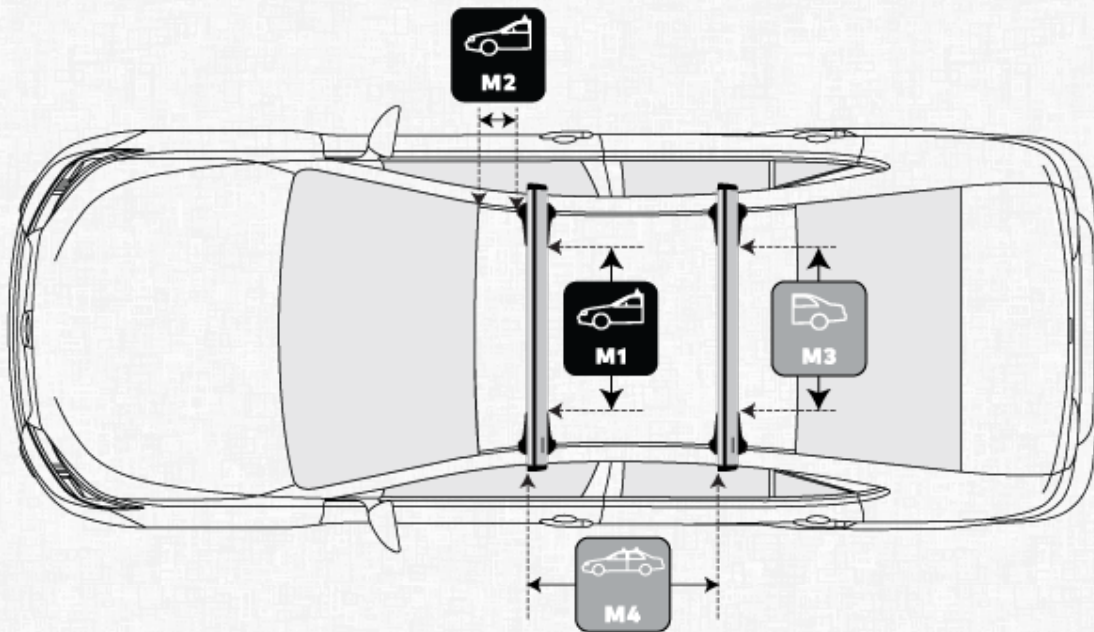
**560 mm**



### Crossbar Spread

Rear edge of front crossbar to rear edge of rear crossbar.

**810 mm**



## PITCH SETTINGS



### Pitch 1

Adjustment on the front legs to help keep the crossbars level

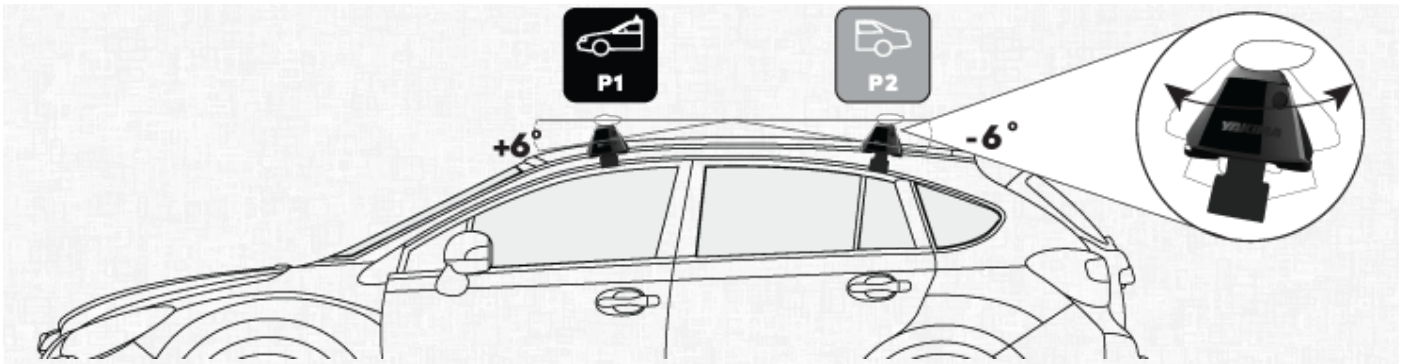
**B**



### Pitch 2

Adjustment on the rear legs to help keep the crossbars level

**B**



## (SC67) SIGHT CLIP DETAILS



### Front Inner Clip

Number imprinted on inner clip to be used on front bar

**R48**



### Rear Inner Clip

Number imprinted on inner clip to be used on rear bar

**R48**



### Front Outer Clip

Number imprinted on outer clip to be used on front bar

**R62**



### Rear Outer Clip

Number imprinted on outer clip to be used on rear bar

**R62**